



Pump jack scaffolding requirements

Pump jack scaffolds must be erected, operated, and maintained in accordance with the manufacturer's instructions.

A copy of the manufacturer's instructions must be readily available on site for reference by workers.

No more than two workers are permitted on a pump jack scaffold at one time. The maximum allowable safe working load is 227 kilograms (500 pounds).

Each pump jack bracket must have two positive gripping mechanisms to prevent failure or slippage.

Wood poles shall

- Not be spaced more than 2.3 metres (seven feet) apart
- Be secured to the work wall by rigid triangular bracing at the top, bottom, and other points such that the maximum distance between braces is three metres (10 feet)
- Not exceed nine metres (30 feet) in height
- Require mending plates installed at all splices, when two by fours are spliced to make a pole
- Have the seam parallel to the bracket when constructed of two continuous lengths joined together

Metal poles shall

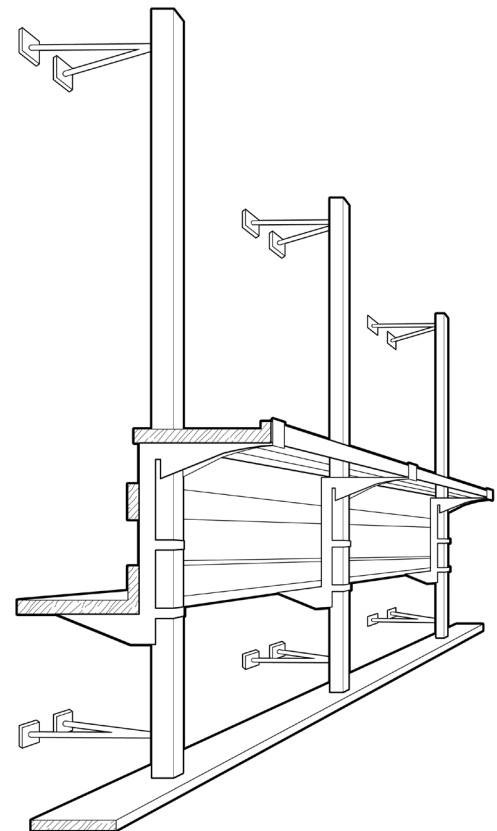
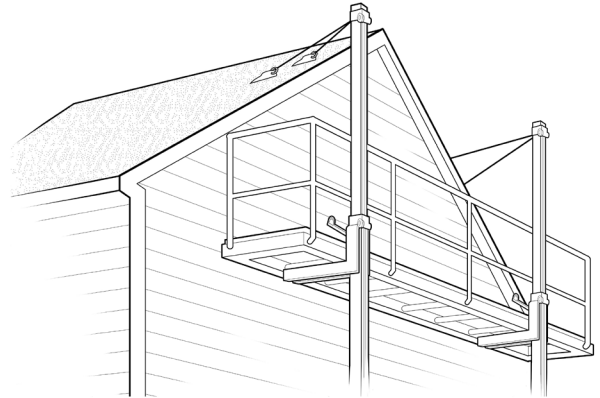
- Be secured as specified by the manufacturer's instructions
- Have a minimum of one brace up to 7.3 metres (24 feet), and above that height the bracing shall not exceed a maximum span of 4.9 metres (16 feet) from top to bottom
- Not exceed 15.2 metres (50 feet) in height unless certified by an engineer

Poles must be placed on mud-sills or other adequate firm foundation.

The work platform must be

- Secured to the pump jack brackets
- A minimum width of 30 centimetres (12 inches)

A bench platform, incorporated in the scaffold at an approximate height of 107 cm (42 in.), is acceptable in lieu of a top rail.



Project: _____ Address: _____

Employer: _____ Supervisor: _____

Date: _____ Time: _____ Shift: _____

Number in crew: _____ Number attending: _____

Other safety issues or suggestions made by crew members:

Record of those attending:

Name: (please print)	Signature:	Company:
1.		
2.		
3.		
4.		
5.		
6.		
7.		
8.		
9.		
10.		
11.		
12.		
13.		
14.		
15.		

Manager's remarks: _____

Manager: _____ Supervisor: _____

(signature)

(signature)



WORKING TO MAKE A DIFFERENCE
worksafebc.com