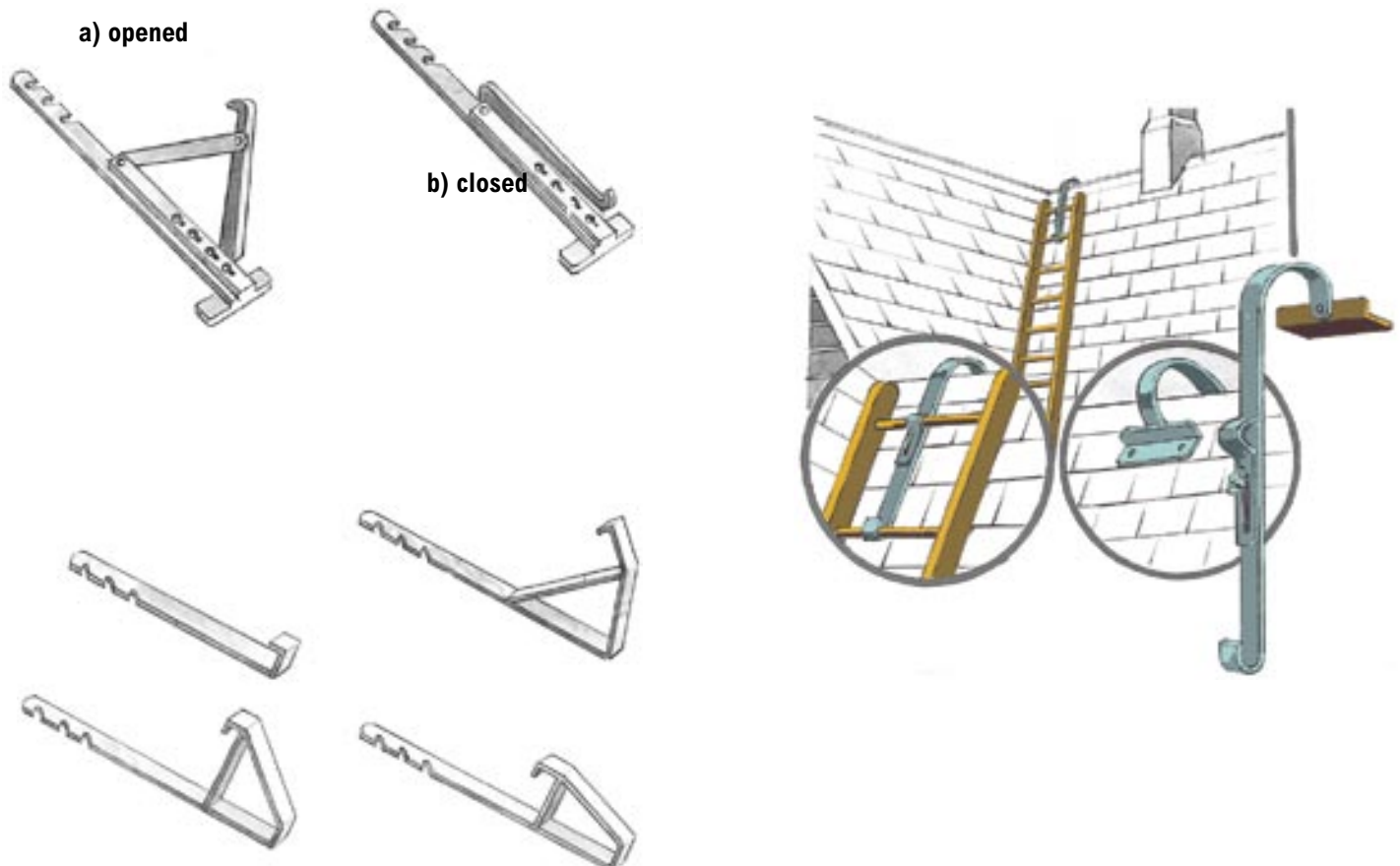




Roof jacks and toeholds

- Roof jacks must be of substantial construction and maintained in good condition.
- Roof jacks must be equipped with effective non-slip devices.
- Exposed horizontal roof strapping may be used as toeholds as long as it provides safe footing.
- Crawl boards or ladders used for roof work must be securely fastened over the ridge of the roof or must be otherwise effectively anchored.
- The use of eavestroughs for support is prohibited.



Project: _____ Address: _____

Employer: _____ Supervisor: _____

Date: _____ Time: _____ Shift: _____

Number in crew: _____ Number attending: _____

Other safety issues or suggestions made by crew members:

Record of those attending:

Name: (please print)	Signature:	Company:
1.		
2.		
3.		
4.		
5.		
6.		
7.		
8.		
9.		
10.		
11.		
12.		
13.		
14.		
15.		

Manager's remarks: _____

Manager: _____ Supervisor: _____

(signature)

(signature)



WORKING TO MAKE A DIFFERENCE
worksafebc.com